

Product Information

Active Receiving Combination Antenna HD 1 A + STA 5 A/D/0.01-100

This active antenna solution combines a horizontally and vertically polarized receiving antenna into one antenna system.

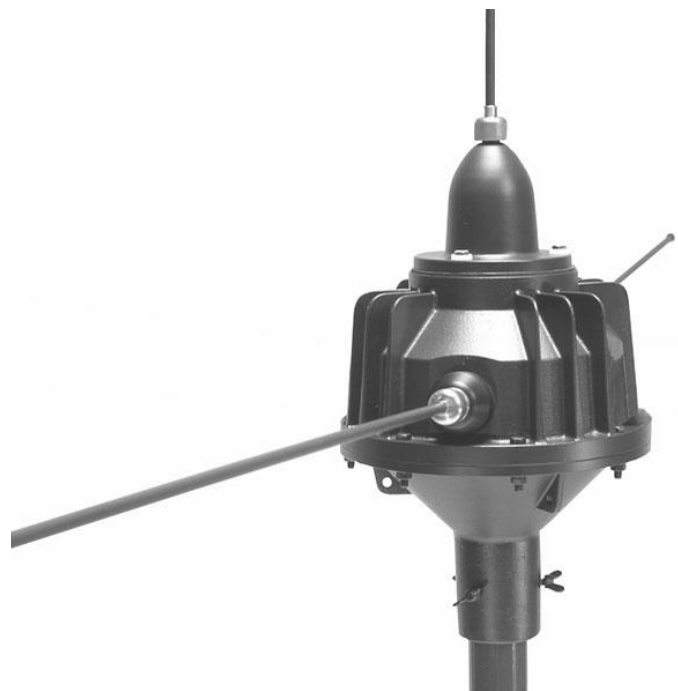
The main advantage of this active antenna solution is its extremely large bandwidth and dynamic range. The antenna is ideal for applications requiring reception over a large frequency range. The antenna is mostly applied where horizontally polarized waves are to be received in the frequency range 1.5 - 30 MHz. The vertical monopole covers the frequency range from 0.01 - 100 MHz.

The small dimensions and associated low weight make this antenna ideal for both stationary - where space is at a premium - and transportable applications.

The antenna amplifiers are installed in a watertight and seawater resistant housing. The antenna rods are made of glass fiber reinforced plastic fitted with stainless steel screw connections.

The dipole and the vertical monopole are fed separately.

The cable connectors are fitted to the bottom side of the antenna head's bottom flange. It is protected against the environment by a trumpet shaped mounting support (the funnel) which is mounted to the bottom flange of the antenna head.



The opposite end of the funnel fits the size of 2" supporting pipes.

Due to the robust construction and the use of weatherproof materials, our active antennas can also be used under extreme environmental conditions.

The operating voltage for the antenna is 39 Vdc. The AAN power supply series or an aas.tech Antenna Distribution System is used to feed the operating voltage to the active element via the coaxial cable.

Technical Data

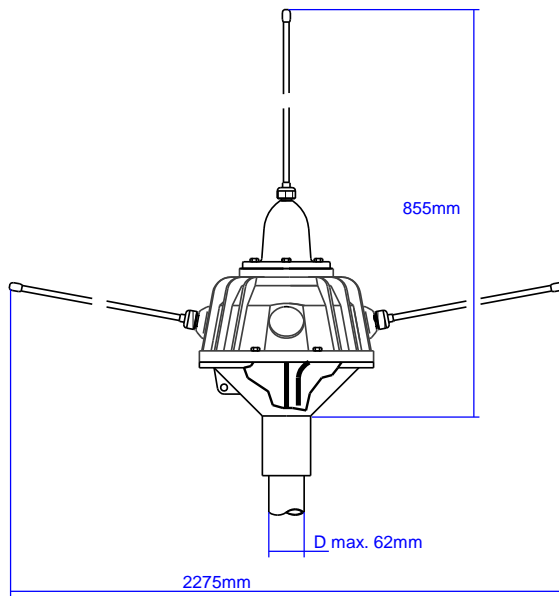
Parameter	Data
Application	active combination antenna
Characteristic	one horizontally polarized dipole antenna and one vertically polarized monopole antenna
Dimension and Weight	refer to page 3
Color	similar RAL 7035
Bending moment at mounting flange	1 daNm (wind speed 150 km/h)
Shock test	50 g / 10ms
Vibration test	4 – 12,5 Hz amplitude = 1,6 mm 12,5 - 90 Hz acceleration 10 m/s ²
Ambient temperature	-40°C ... +70°C
Storage temperature	-55°C ... +80°C
Relative humidity	100%
RF connector	2 N sockets
Power supply	39 Vdc power feeding through coaxial cable
MTBF	> 32.000 h (Tu = 40°C)
MTTR (replacement of subassemblies)	1,0 h (replacing of subunits)
Frequency range dipole antenna	1,5 - 30 MHz
Technical data and spare parts for dipole antenna HD 1 A	refer to doc. PIG 010202
Frequency range monopole antenna	0,01 - 100 MHz
Technical data and spare parts for monopole antenna STA 5 A/D/0.01-100	refer to doc. PIG 010104

Data given without tolerance are typical values.
 Design and specification are subject to change without prior notice, errors excepted.

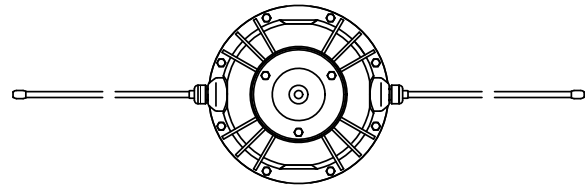
Scope of Supply

Pos.	Description
1	Active Combination Antenna HD 1 A + STA 5 A/D/0.01-100
2	Accessory Set ZS 11
3	Accessory Set ZS 15
4	USB stick with product documentation in pdf format

Dimensions and Weight



12,6 kg



Accessories

Type Designation	Part No.	Description
ZS 11	0028.3711.00	Accessory set consisting of <ul style="list-style-type: none"> - 1 ea. N male plug Part No. ST.0015 - 1 ea. Rubber sleeve for N plug black Part No. A.0047
ZS 15	0028.3715.00	Accessory set consisting of <ul style="list-style-type: none"> - 1 ea. N male plug Part No. ST.0015 - 1 ea. Rubber sleeve for N plug black Part No. A.0047 - 1 ea. Flat Gasket 7 Part No. 0002.2101.04 NSN 5330-12-320-9989

Variants and Order Information

Type Designation	Part No. NSN	Description
HD 1 A + STA 5 A/D/0.01-100	0005.6633.00 ---	Active Antenna System
HD 1 A + STA 10 A/D/0.01-100	0005.6632.00 ---	Active Antenna System

Options

Option	Part No. NSN	Description
RAL Color Code	depends on RAL color code	Painting in RAL color according to customer specification

Other or customer specific options are available on request.

Spare Parts

Designation	Details	
Spare Parts for HD 1 A	refer to doc. PIG 010202	
STA 5 A/D/0.01-100	refer to doc. PIG 010104	

Associated Products

For integration into the application environment associated products are available.

Type Designation	Part No. NSN	Description
AAN 120	2061.0120.00	19-inch 1 HU Remote Power Supply Unit Frequency range 0.01 – 100 MHz The AAN 120 provides 2 remote power feeding ports and 2 receiver ports, typically used with 2 active monopole antennas STA or 2 active dipole antennas HD 1 A or 1 active dipole antenna HD 2 A. 1 active combination antenna HD 1 A + STA ... Doc. PIG 010620
	AAN 130	2061.0130.00
AAN 140	2061.0140.00	19-inch 1 HU Remote Power Supply Unit Frequency range 0.01 – 100 MHz The AAN 140 provides 4 remote power feeding ports and 4 receiver ports, typically used with 4 active monopole antennas STA or 2 active dipole antennas HD 1 A or 1 active dipole antenna HD 2 A or 1 active combination antenna HD 2 A + STA ...
TR 10/E1	0007.3411.00	2" supporting pipe 1 m high, aluminum, RAL 7035 Doc. PIG 010502
RF Coaxial Cable	2078.xxxx.00 ---	Assembled ready-made coaxial cable according to customer specification. Type of connectors and type of cable to be specified by customer.